

Robinet de lave-mains infrarouge avec pile 6V, froid  
Infrarood fonteinkraan met batterij 6V, koud  
Infrared washbasin tap with battery 6V, cold

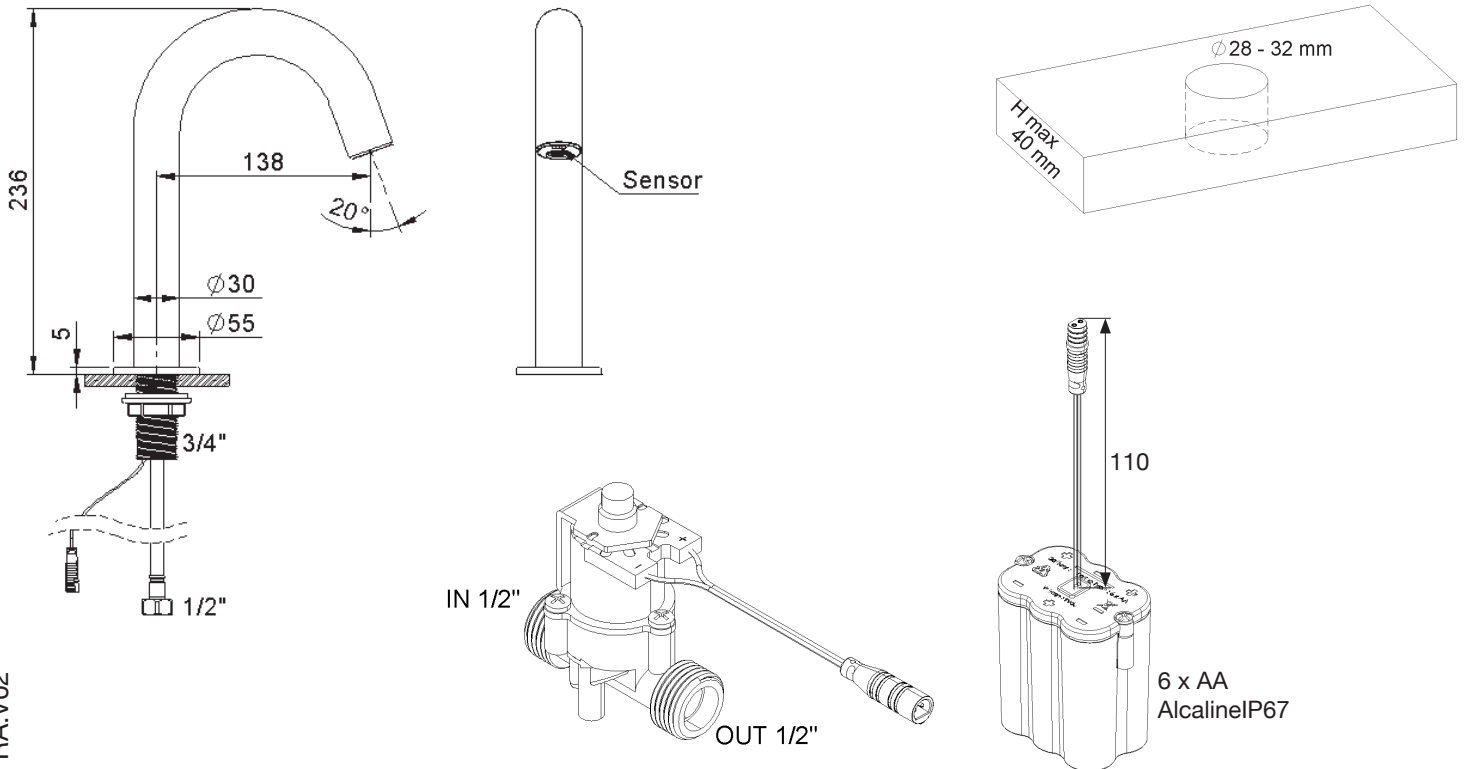
**Picture**



**Product details**

Flow at 3 bar :	Restricted 4,5 l/min
Material :	Stainless steel 316
Internal mechanism :	Solenoid valve bi-stable
Power consumption :	2,1W in use Input 6 x AA alcalines (IP67) included
Unit :	Adjustable infrared detector
Security :	Low voltage. Automatic closing in case of power failure.

**Technical drawing**



RA-V02